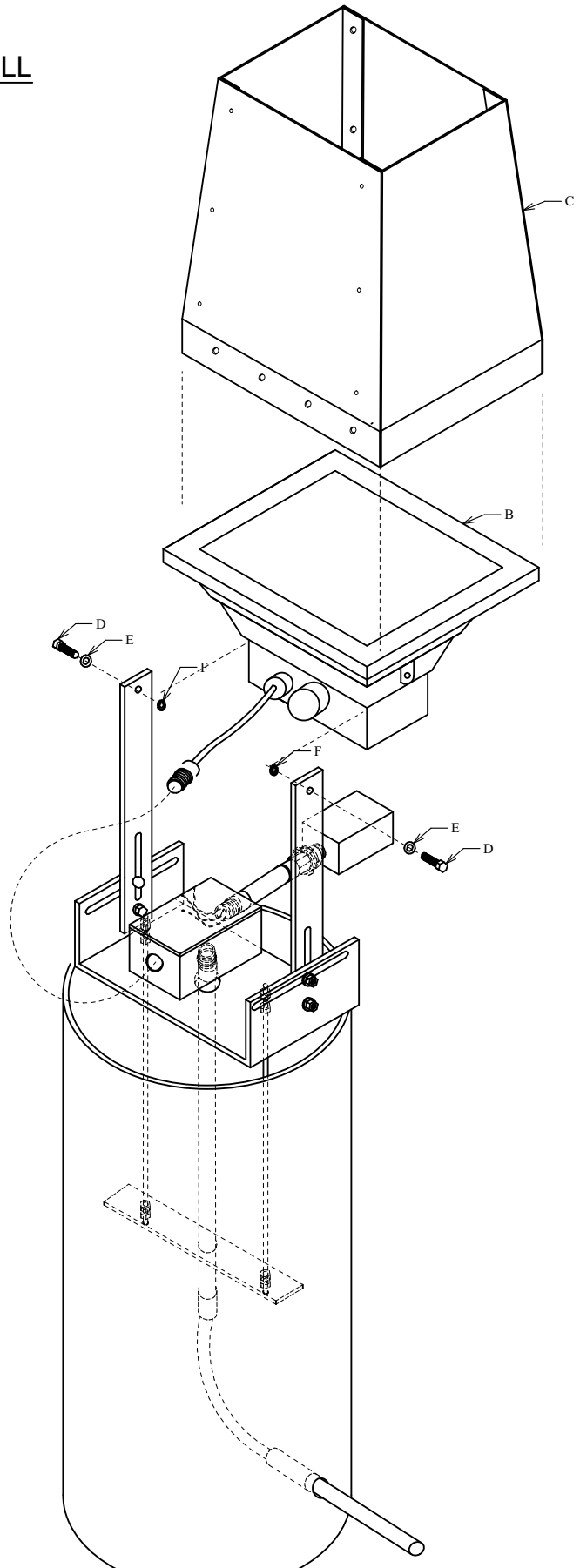


15W FIXTURE ASSEMBLY SCHEMATIC
WITH CONCRETE BASE AND PHOTOCELL

KEY	QTY	NAME	DESCRIPTION
A	1	15W BRACKET (W/ PHOTOCELL)	BRACKET ASSEMBLY WITH CONCRETE BASE PER SCHEMATICS
B	1	15W LIGHT	FULLY ASSEMBLED
C	1	LIGHT FUNNEL	ASSEMBLED PER SCHEMATICS
D	2	HEX CAP SCREW	M8 A2 HEX CAP SCREW
E	2	WASHER	5/16" S.S. WASHER
F	2	LOCK WASHER	5/16" S.S. EXTERIOR TOOTH LOCK WASHER

15W FIXTURE ASSEMBLY SCHEMATIC
WITH CONCRETE BASE AND PHOTOCELL



1

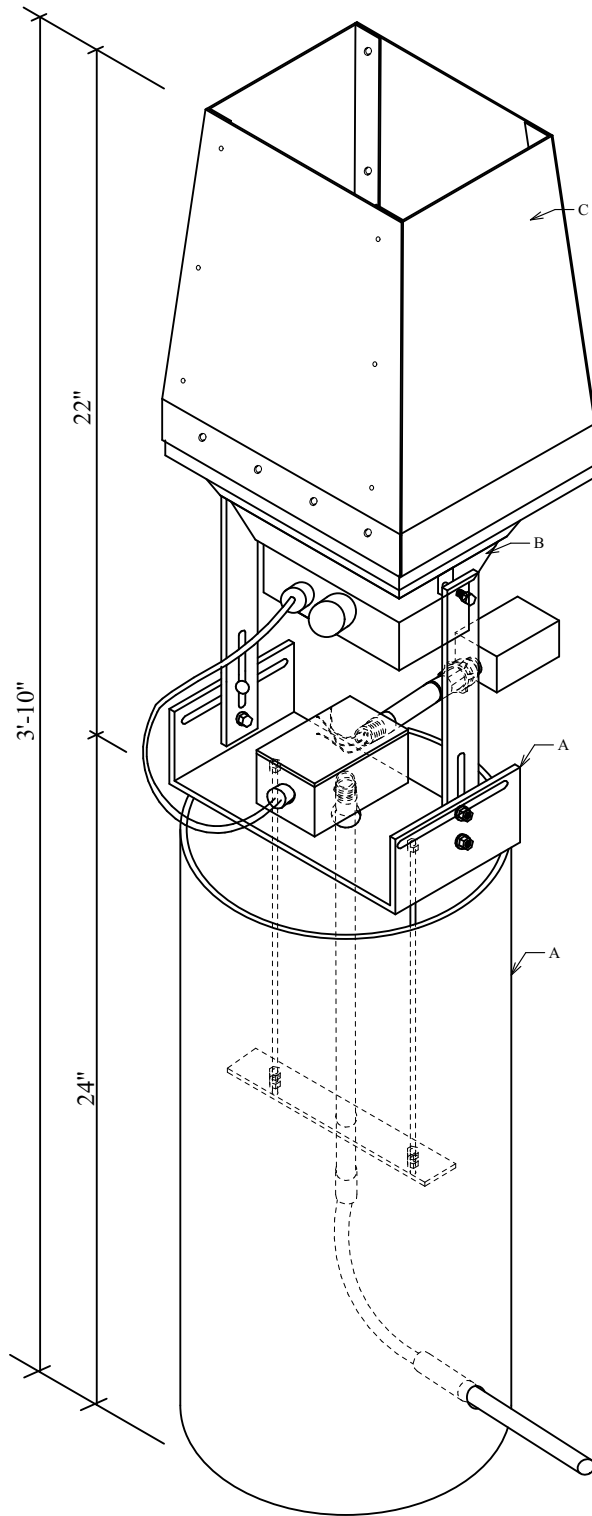
EXPLODED AXON VIEW

NOT TO SCALE

02-20-21 Drawn:CLC

A-1

15W FIXTURE ASSEMBLY SCHEMATIC WITH CONCRETE BASE AND PHOTOCELL



1

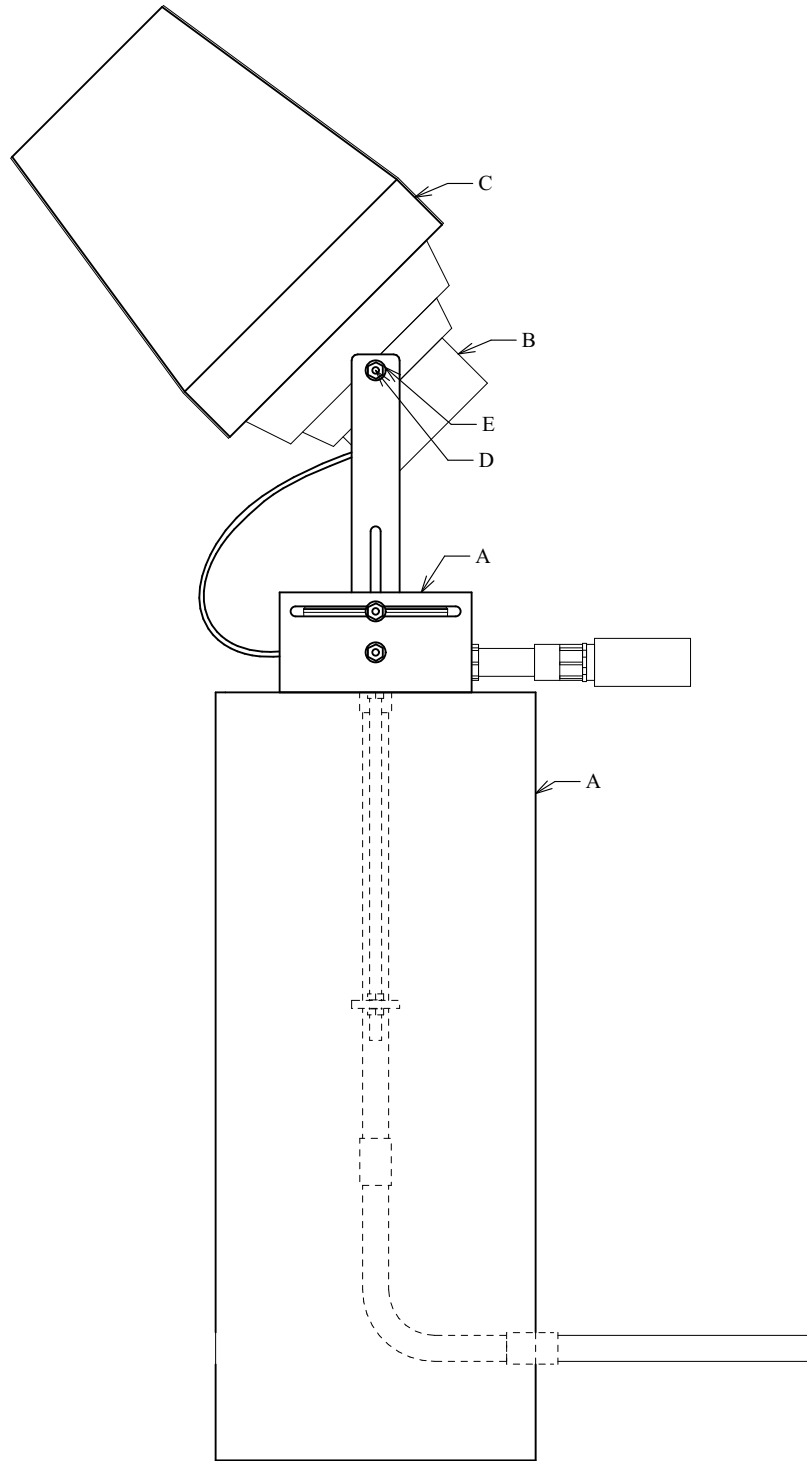
AXON VIEW

NOT TO SCALE

02-20-21 Drawn:CLC

A-2

15W FIXTURE ASSEMBLY SCHEMATIC WITH CONCRETE BASE AND PHOTOCELL



1

SIDE VIEW

SCALE: 1:6

02-20-21 Drawn:CLC

A-3