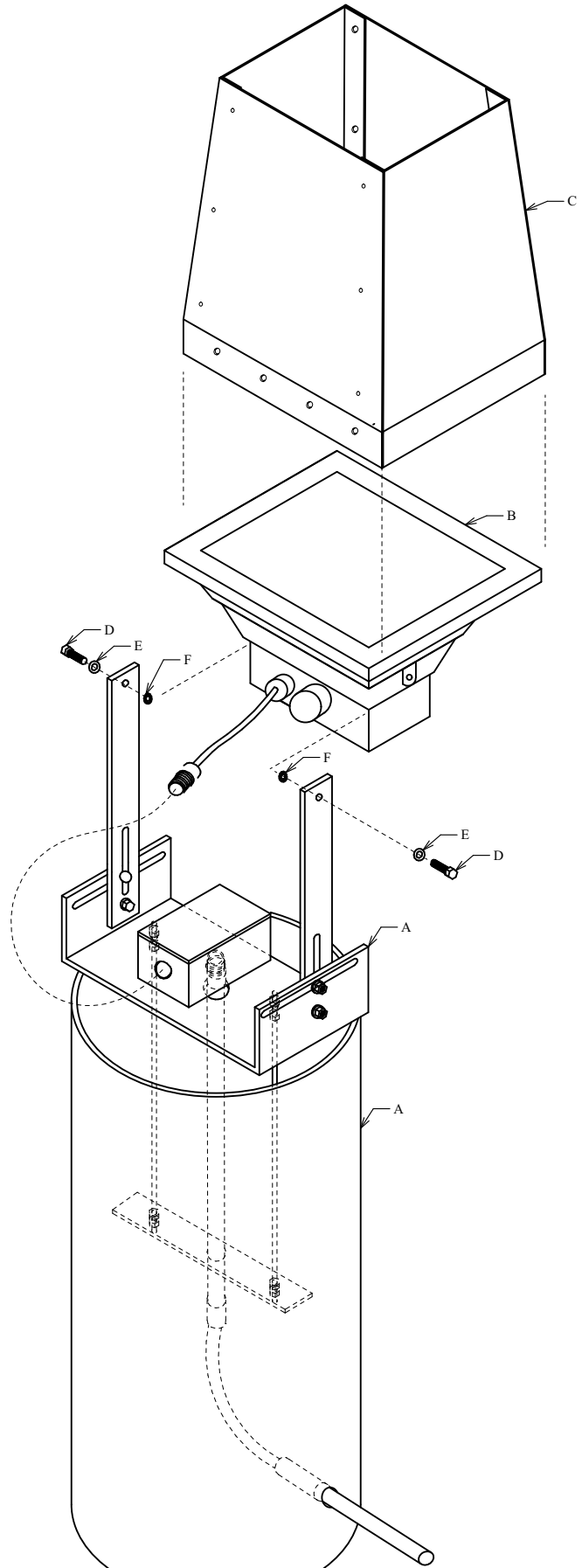


## 60W FIXTURE ASSEMBLY SCHEMATIC WITH CONCRETE BASE

KEY	QTY	NAME	DESCRIPTION
A	1	60W BRACKET	BRACKET ASSEMBLY WITH CONCRETE BASE PER SCHEMATICS
B	1	60W LIGHT	FULLY ASSEMBLED
C	1	LIGHT FUNNEL	ASSEMBLED PER SCHEMATICS
D	2	HEX CAP SCREW	M8 A2 HEX CAP SCREW
E	2	WASHER	5/16" S.S. WASHER
F	2	LOCK WASHER	5/16" S.S. EXTERIOR TOOTH LOCK WASHER

# 60W FIXTURE ASSEMBLY SCHEMATIC WITH CONCRETE BASE



1

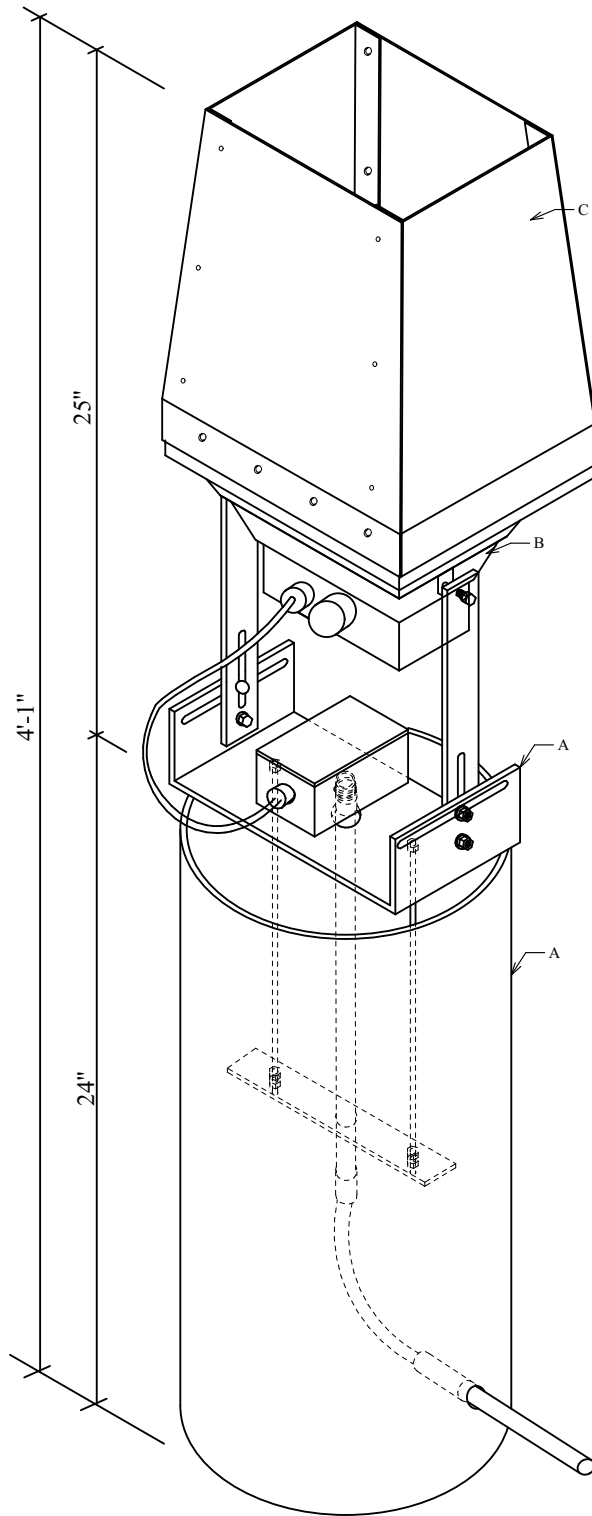
## EXPLODED AXON VIEW

NOT TO SCALE

02-20-21 Drawn:CLC

**A-1**

# 60W FIXTURE ASSEMBLY SCHEMATIC WITH CONCRETE BASE



1

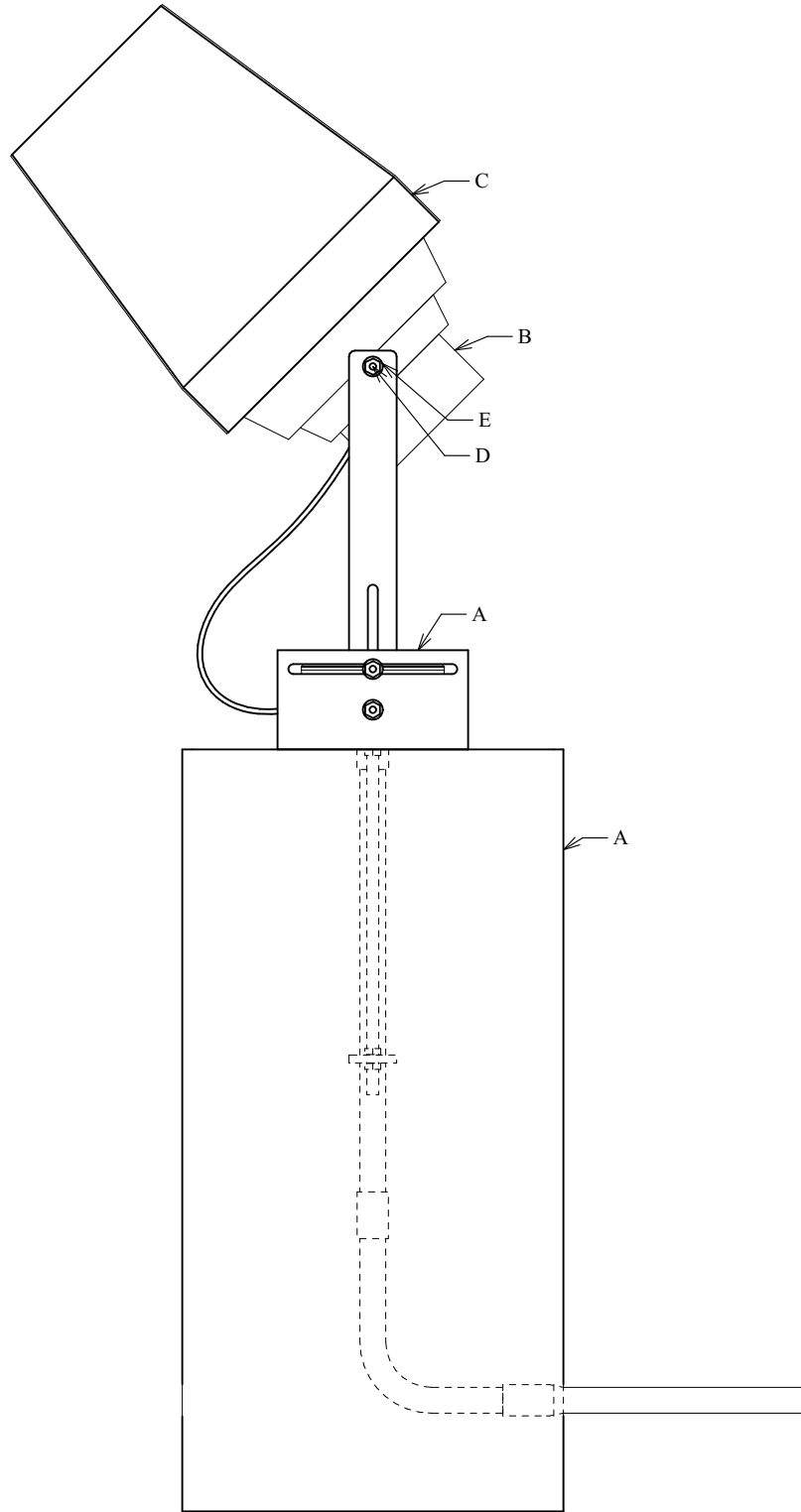
## AXON VIEW

NOT TO SCALE

02-20-21 Drawn:CLC

# A-2

# 60W FIXTURE ASSEMBLY SCHEMATIC WITH CONCRETE BASE



1

**SIDE VIEW**

SCALE: 1:6

02-20-21 Drawn:CLC

**A-3**