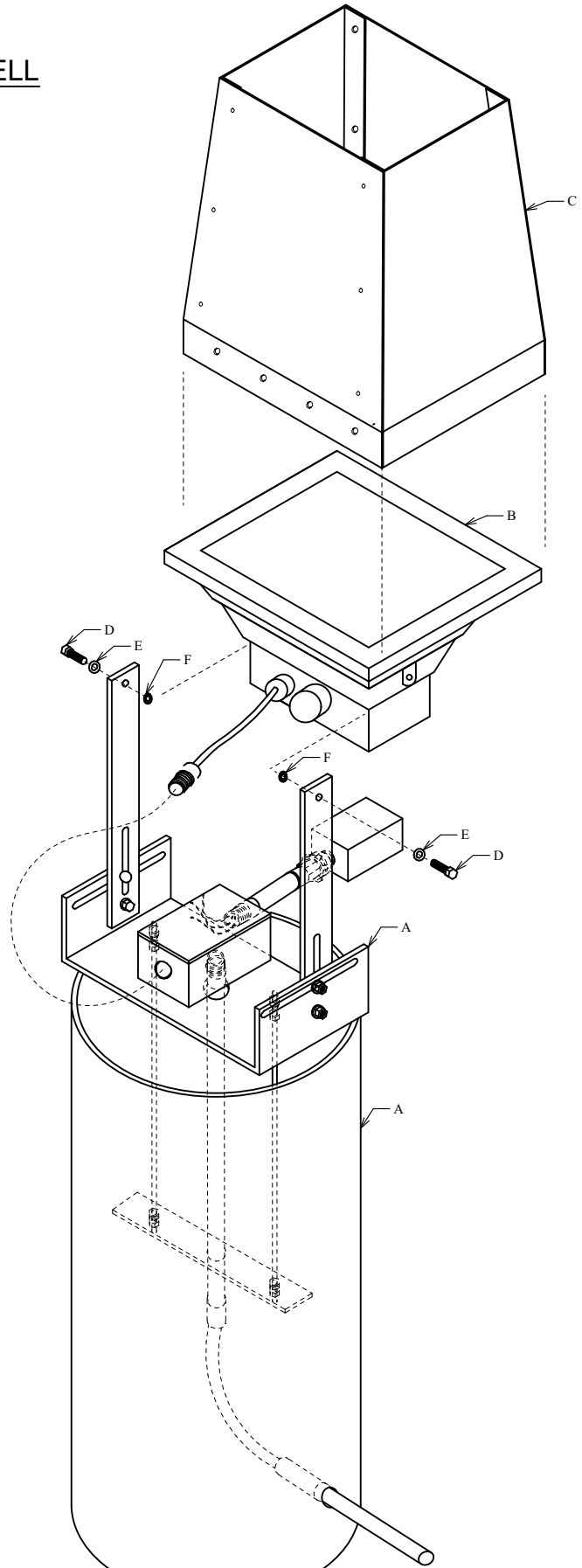


**60W FIXTURE ASSEMBLY SCHEMATIC**  
**WITH CONCRETE BASE AND PHOTOCELL**

KEY	QTY	NAME	DESCRIPTION
A	1	60W BRACKET (W/ PHOTOCELL)	BRACKET ASSEMBLY WITH CONCRETE BASE PER SCHEMATICS
B	1	60W LIGHT	FULLY ASSEMBLED
C	1	LIGHT FUNNEL	ASSEMBLED PER SCHEMATICS
D	2	HEX CAP SCREW	M8 A2 HEX CAP SCREW
E	2	WASHER	5/16" S.S. WASHER
F	2	LOCK WASHER	5/16" S.S. EXTERIOR TOOTH LOCK WASHER

# 60W FIXTURE ASSEMBLY SCHEMATIC WITH CONCRETE BASE AND PHOTOCELL



1

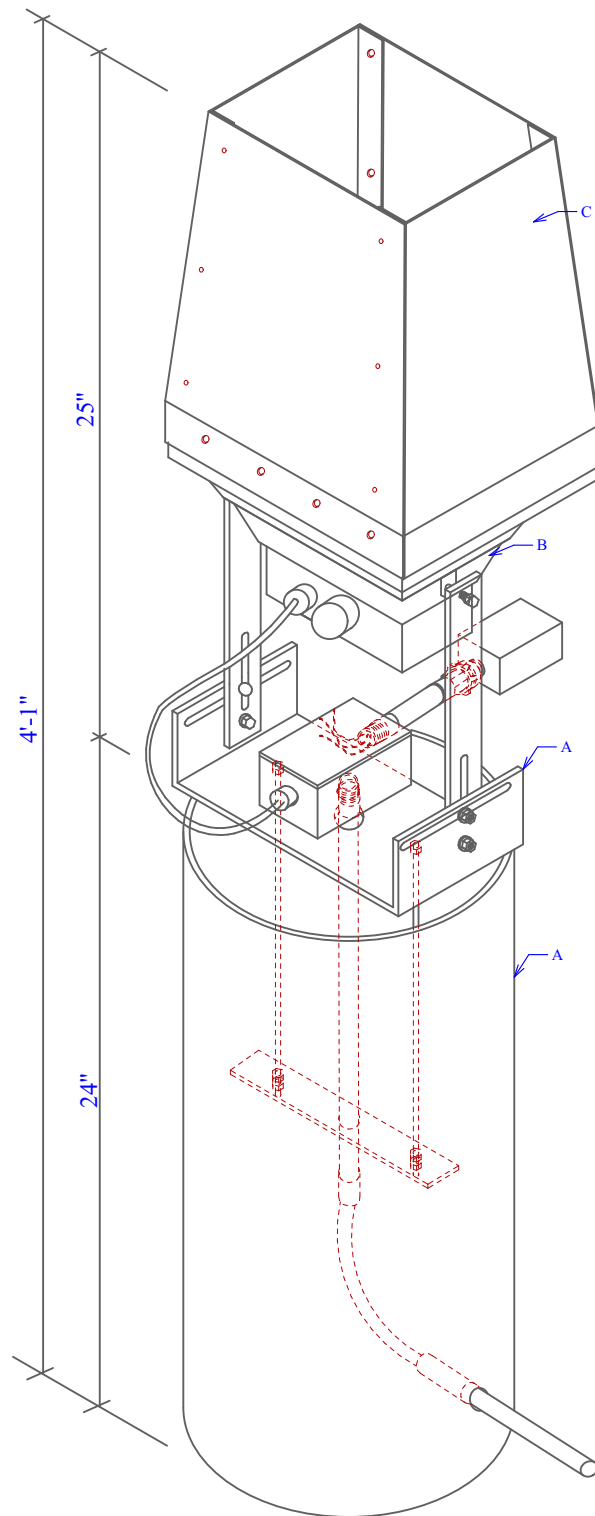
## EXPLODED AXON VIEW

NOT TO SCALE

02-20-21 Drawn:CLC

**A-1**

# 60W FIXTURE ASSEMBLY SCHEMATIC WITH CONCRETE BASE AND PHOTOCELL



1

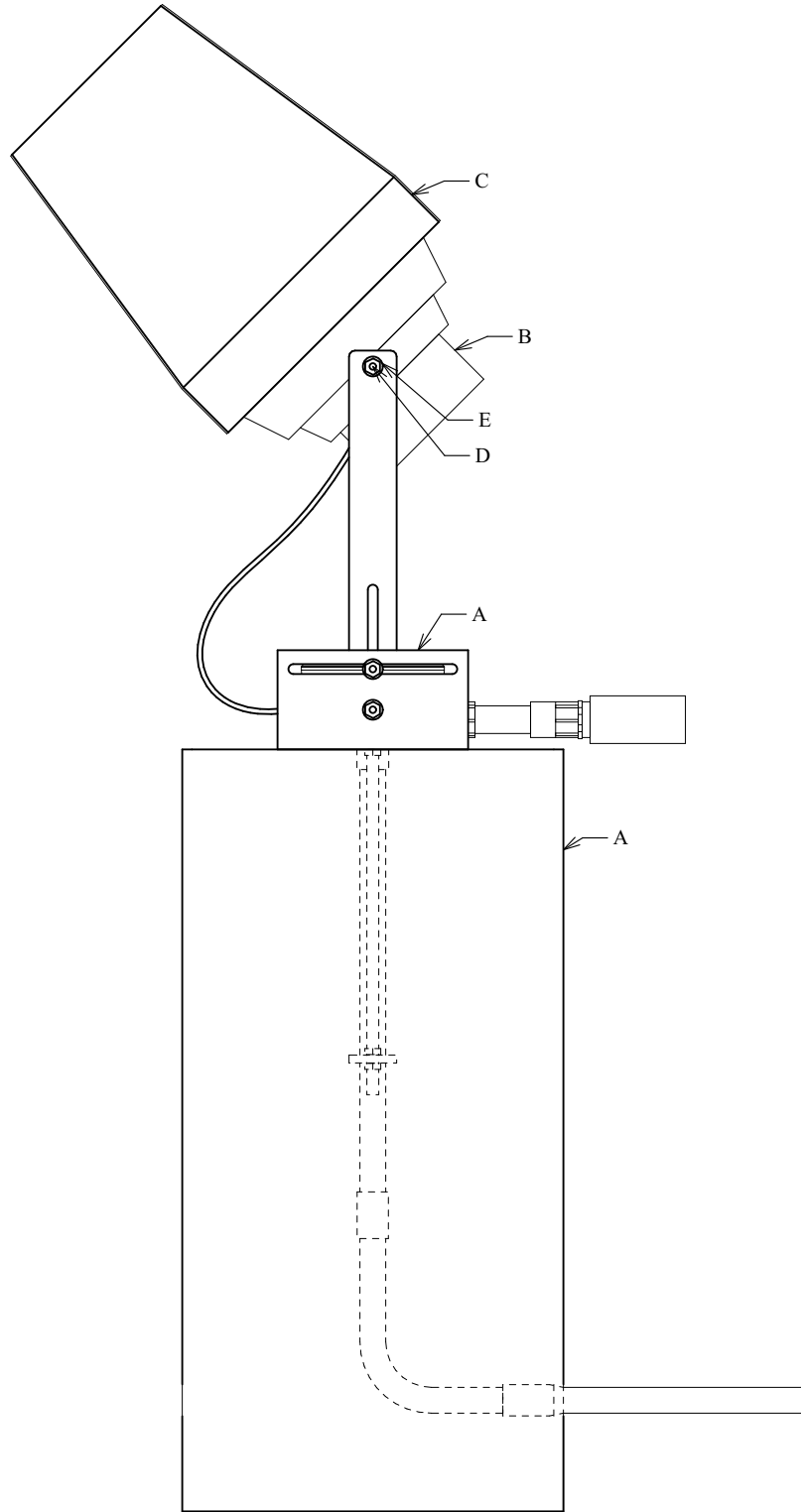
## AXON VIEW

NOT TO SCALE

02-20-21 Drawn:CLC

# A-2

# 60W FIXTURE ASSEMBLY SCHEMATIC WITH CONCRETE BASE AND PHOTOCELL



**1** SIDE VIEW  
SCALE: 1:6